

General

Code	PDT-000528
New Code	BSW-TOP-02-PS
Range Name	TOP FIX
Finish	POLISHED STEEL
Short Description:	Top Fix Basket Str Waste PS
Barcode_1_(Single_Item)	5010000528003
GS1 Registered	Yes
GS1 Single item	5056634500725
Category	Kitchens
Sub Category	Accessories
Sub Category 2	Basket Strainer Wastes

Compliance

Related Standard(s)	EN 274-1:2002
DOC ref:	DOC-14-01
WRAS Approved	No
WRAS No 1:	n/a
WRAS No 2:	0
WRAS No 3:	0
WRAS No 4:	0
Other	UDEM
No 1:	TCZJ23121153354
LVD Conformity	n/a
EMC Conformity	n/a

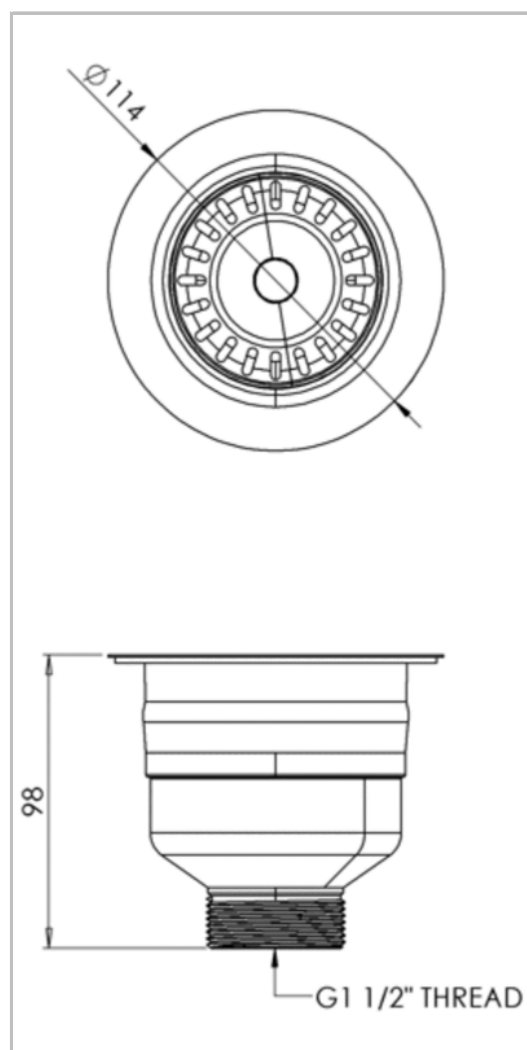
Packaging

Product_Weight_(KG)	0.28
Single Box Length (mm)	120
Single Box Width (mm)	120
Single Box Height (mm)	110
Single Item box Weight (KG)	0.366666667
Single Item box Weight (Grams)	366.6666667
CBM Single Box	0.002
Outer Carton Length (mm)	620
Outer Carton Width (mm)	500
Outer Carton Height (mm)	345
Outer Carton Net Weight (kg)	17
Outer Carton Gross Weight (kg)	22
Single Item(s) Per Outer Carton	60
CBM Outer Carton	0.107

Image(s)



Dimensions



The information contained on this page was correct at date of issue. Fitting dimensions are provided as a guide only. Some variation may occur due to manufacturing tolerances. Ellsi Ltd peruses a policy of continuing improvement in design and performance of its products and so reserves the right to change specifications without prior notice