

## General

Code	PDT-000729
New Code	SHW-TOP-01-MB
Range Name	TOP FIX
Finish	MATT BLACK
Short Description:	Top Fix   Shower Waste 90mm G1 1/2"   MB
Barcode_1_(Single_Item)	n/a
GS1 Registered	Yes
GS1 Single item	5056634504846
Category	Bathrooms
Sub Category	Accessories
Sub Category 2	Shower Waste

## Compliance

Related Standard(s)	EN 274-1:2002
DOC ref:	DOC-14-01
WRAS Approved	No
WRAS No 1:	n/a
WRAS No 2:	0
WRAS No 3:	0
WRAS No 4:	0
Other	UDEM
No 1:	TCZJ23121153354
LVD Conformity	n/a
EMC Conformity	n/a

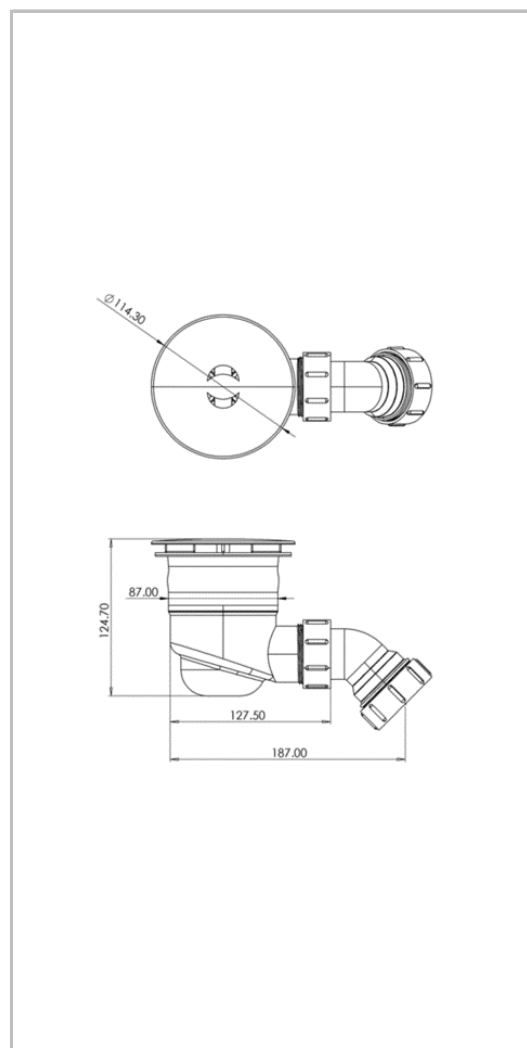
## Packaging

Product_Weight_(KG)	0.34
Single Box Length (mm)	157
Single Box Width (mm)	120
Single Box Height (mm)	133
Single Item box Weight (KG)	0.42
Single Item box Weight (Grams)	420
CBM Single Box	0.003
Outer Carton Length (mm)	608
Outer Carton Width (mm)	485
Outer Carton Height (mm)	419
Outer Carton Net Weight (kg)	15.3
Outer Carton Gross Weight (kg)	18.9
Single Item(s) Per Outer Carton	45
CBM Outer Carton	0.124

## Image(s)



## Dimensions



The information contained on this page was correct at date of issue. Fitting dimensions are provided as a guide only. Some variation may occur due to manufacturing tolerances. Ellsi Ltd peruses a policy of continuing improvement in design and performance of its products and so reserves the right to change specifications without prior notice