

General

Code	PDT-000600
New Code	PBW-TOP-02-CH
Range Name	TOP FIX
Finish	CHROME
Short Description:	Top Fix Push But CC Waste UNSLOT CH
Barcode_1_(Single_Item)	n/a
GS1 Registered	Yes
GS1 Single item	5056634504198
Category	Bathrooms
Sub Category	Accessories
Sub Category 2	Basin Waste

Compliance

Related Standard(s)	EN 274-1:2002
DOC ref:	DOC-14-01
WRAS Approved	No
WRAS No 1:	n/a
WRAS No 2:	0
WRAS No 3:	0
WRAS No 4:	0
Other	UDEM
No 1:	TCZJ23121153354
LVD Conformity	n/a
EMC Conformity	n/a

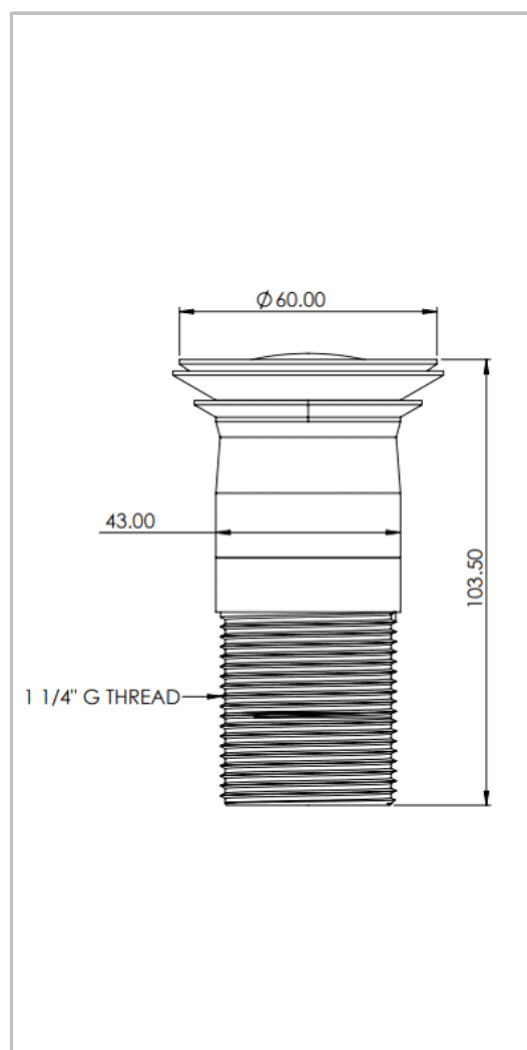
Packaging

Product_Weight_(KG)	0.00
Single Box Length (mm)	70
Single Box Width (mm)	70
Single Box Height (mm)	125
Single Item box Weight (KG)	0
Single Item box Weight (Grams)	0
CBM Single Box	0.001
Outer Carton Length (mm)	0
Outer Carton Width (mm)	0
Outer Carton Height (mm)	0
Outer Carton Net Weight (kg)	0
Outer Carton Gross Weight (kg)	0
Single Item(s) Per Outer Carton	80
CBM Outer Carton	0.000

Image(s)



Dimensions



The information contained on this page was correct at date of issue. Fitting dimensions are provided as a guide only. Some variation may occur due to manufacturing tolerances. Ellsi Ltd peruses a policy of continuing improvement in design and performance of its products and so reserves the right to change specifications without prior notice